

4K Option for Ascender 16

Ref. OPT-4K-ASC1602

New option to upgrade your powerful multi-screen Seamless Switcher based on **Analog Way's LiveCore™** platform. Enter the world of ultra high 4K resolution.

New Front Panel labels

New output system

New input system



- HDMI plugs on input 1,5 and 9 now belong to inputs 2, 6 and 10 and become 4K compatible
- DVI plugs on outputs 2 and 4 now become HDMI 4K compatible

INPUTS



OUTPUTS



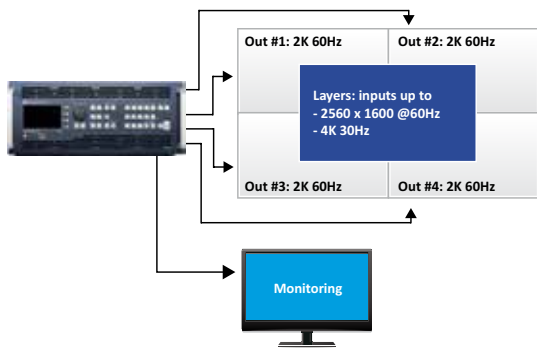
4K option at a glance

- ▶ New input boards
- ▶ New output boards
- ▶ Up to 3 x 4K 30Hz input plugs
- ▶ Versatile configuration of 4K output plugs
- ▶ Resolution up to 4096 x 2160 at 60Hz

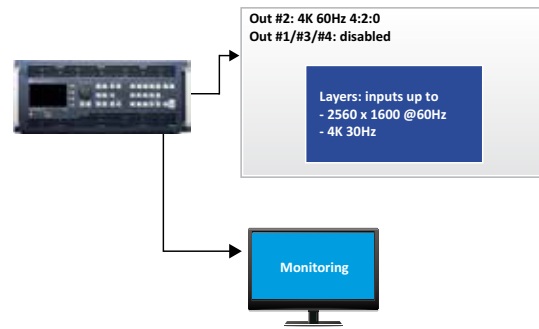


4K output configurations:

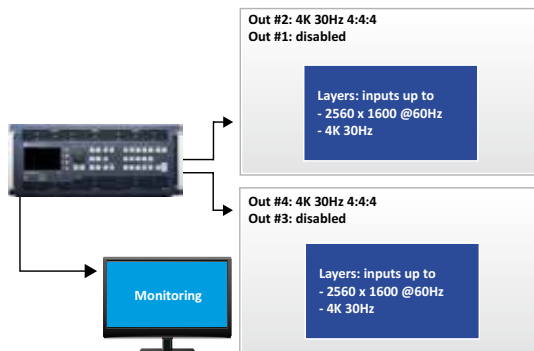
One 4K 60Hz 4:4:4 display using four 2K outputs*



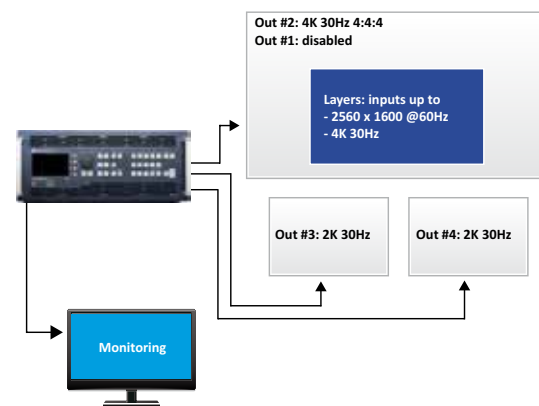
One HDMI 4K 60Hz 4:2:0 output (on DVI connector)*



Two HDMI 4K 30Hz 4:4:4 outputs



One HDMI 4K 30Hz 4:4:4 output and two 2K outputs



*Available Q1 2015 through firmware update

Input configurations:

- Up to three HDMI 4K 30Hz 4:4:4
 - Up to three 4K 60Hz 4:4:4 inputs using four 2K inputs for Native Background
- Please note that when enabling an HDMI 4K input, the adjacent input is disabled.

Layers:

A layer containing a 4K 30Hz 4:4:4 input uses twice the number of scalers used by a layer containing a 1080p/2K source. For example, if the layer A contains a 4K source the layer B is disabled. Therefore the **Ascender 16** supports the following layer configurations:

	4K Native Background	Layers with 4K content	Layers with 2K content
Layer Config. 1	1	0	2
Layer Config. 2	1	1	0

Option installing:

This option must be installed by **Analog Way** in one of our world wide technical support facilities.

Warranty:

3-year warranty on parts and labor back to factory.

For a better understanding of the UHD technology and the capabilities of the **LiveCore™** series, please read the dedicated white paper available on www.analogway.com



* All User Manuals and Quick Start Guides are also available on www.analogway.com

i Specifications subject to change without prior notice

All technical specifications are available on our website